



16 bar
operating pressure

60 to 2160 Nm³/h
volume flow rate

3/8" to 3"
connections

1,5 to 65°C
operating temperature range

RAL 9005
standard colour

DESCRIPTION

CKL-B condensate separators are designed for high efficient removal of bulk liquids from compressed air and vacuum systems. Inside the housing there is an insert with vanes that creates controlled rotation of the air.

As a result of centrifugal action, liquids (water, oil) and large particles are forced to the housing wall, slowed down and accumulated at the bottom of separator housing as condensate. The turbulent free zone in the lower part of the filter housing prevents condensate from being picked up and "carried over" into the airstream.

To discharge condensate from the CKL-B cyclone separator it is essential to install automatic or electronic condensate drain.

APPLICATIONS

- Automotive
- Electronics
- Food and beverage
- Chemical
- Petrochemical
- Plastics
- Paint
- General industrial applications

CKL-B SERIES

ALUMINIUM CONDENSATE SEPARATORS



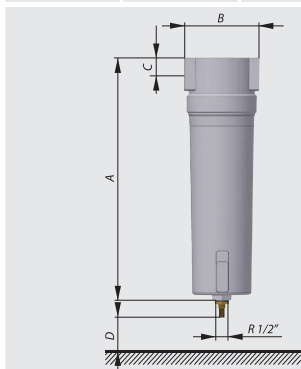
page93





TECHNICAL DATA

Model	Pipe size	Max.oper. pressure	Flow rate at 7 bar(g), 20 °C		Temperature oper. range		Dimensions [mm]				Mass
	inch	bar/psi	Nm ³ /h	SCFM	°C	°F	A	B	C	D	kg
CKL 005 B	3/8"	16/232	60	35	1,5 - 65	35 - 149	187	88	20	60	0,7
CKL 007 B	1/2"	16/232	78	46	1,5 - 65	35 - 149	187	88	20	60	0,7
CKL 010 B	3/4"	16/232	120	70	1,5 - 65	35 - 149	257	88	20	80	0,8
CKL 018 B	1"	16/232	198	116	1,5 - 65	35 - 149	263	125	32	100	1,8
CKL 047 B	1 1/2"	16/232	510	300	1,5 - 65	35 - 149	461	125	32	140	2,5
CKL 094 B	2"	16/232	1000	588	1,5 - 65	35 - 149	684	163	43	520	5,1
CKL 150 B	2 1/2"	16/232	1500	882	1,5 - 65	35 - 149	684	163	43	520	5,1
CKL 200 B	3"	16/232	2160	1270	1,5 - 65	35 - 149	795	240	59	630	12,9



quality class - solids (ISO 8573-1)	-
quality class - water (ISO 8573-1)	8
quality class - oils (ISO 8573-1)	-
efficiency	>98%

CORRECTION FACTORS

Operating pressure [bar]	2	3	4	5	6	7	8	9	10	11	12	13	14	15	16
Operating pressure [psi]	29	44	58	72	87	100	115	130	145	160	174	189	203	218	232
Correction factor	0,38	0,50	0,63	0,75	0,88	1	1,13	1,25	1,38	1,50	1,63	1,75	1,88	2,00	2,13